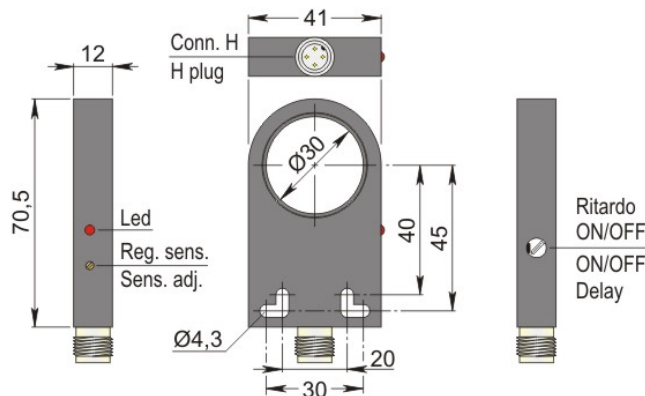


Part number: **SIA000150** Model: **SIA30-CE PNP NO+NC H R**



Dimension in mm

1. TECHNICAL CHARACTERISTICS



Electrical data	
Power supply type:	Direct current
Working voltage: [V]	10 ÷ 30
Current consumption: [mA]	< 15 mA @ 24Vdc
Protection class:	III
Reverse polarity protection:	Presente
Outputs	
Electrical design:	PNP
Function:	NO+NC
Delay ON de-energization: [ms]	100 (when inserted)
Max voltage drop: [V]	< 1.8
Max output current: [mA]	200
Max switching frequency: [Hz]	See instructions for installation
Short circuit protection:	Present
Overload protection:	Present
Detection zone	
Sensing hole diameter: [mm]	30
Minimum detectable object: [mm]	Ø 4x7 - Fe360
Accuracy and Deviations	
Correction factor:	Stainless steel: 0.9 - Brass: 0.5 - Aluminium: 0.4 - Copper: 0.4
Hysteresis: [%Sr]	Depends on the sensitivity
Switching point drift: [%Sr]	-1
Repeatability: [%Sn]	< 0.3
Environmental conditions	
Temperature limits: [°C]	-20 / +60 °C
IP rating:	IP65
Display and control elements	
Display:	Output switching status - 4 x 90° LED: Yellow

Mechanical data

Housing:		Ring
Dimensions:	[Hz]	41 x 12 x 70.5
Materials:		Housing: PC black - Sensing area: PVC black
Mounting:		Not embeddable
Weight:	[g]	50

Electrical connection

Connector:		H type - M12X1 - Gold plated contacts
------------	--	---------------------------------------


Compliance to Standards / Directives

Directives compliance:		2014/30/EU -Electromagnetic compatibility directive (EMC)
Standards compliance:		EN60947-5-2 - Product standard

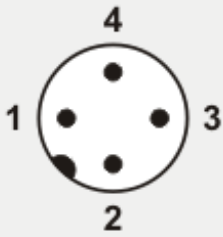
2. NORME DI INSTALLAZIONE

WIRING DIAGRAM

CONNECTION WITH H PLUG



PNP NO+NC



VIEW OF MALE CONNECTOR

1 = Brown / +
3 = Blue / -
4 = Black / output NO
2 = White / output NC

INSTRUCTIONS FOR CORRECT INSTALLATION

INSTRUCTIONS FOR CORRECT INSTALLATION

Fig. 1

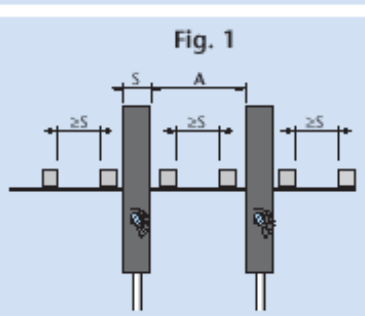
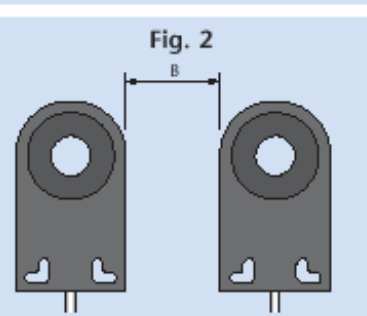


Fig. 2



Model	SIA05	SIA12	SIA15	SIA22	SIA30	SIA44	SIA63	SIA100
A (Fig. 1) mm	25	30	30	60	60	300	300	600
B (Fig. 2) mm	10	10	10	20	20	250	250	650

Titolo img 1

MIN. DIMENSIONS OF THE OBJECT TO DETECT (Fe37)

Model		SIA30
Lenght	mm	7
Diameter	mm	4

SWITCHING FREQUENCY

The switching frequency of inductive ring sensors depends on delayed impulse time (**when inserted**) according to the formula :

$$\text{Switching frequency (Hz)} = \frac{1}{(T \text{ impulse} + 10) \text{ mS}}$$

Vice versa, the switching frequency will be between 600+800 Hz.